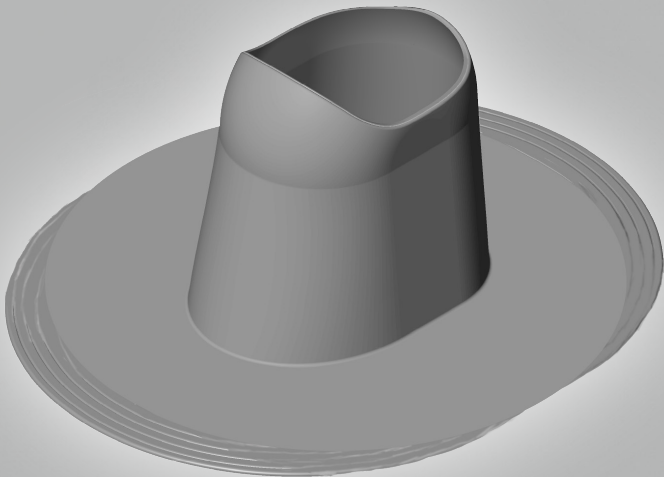


Collar PVC for installation of Felt Tall pass-through

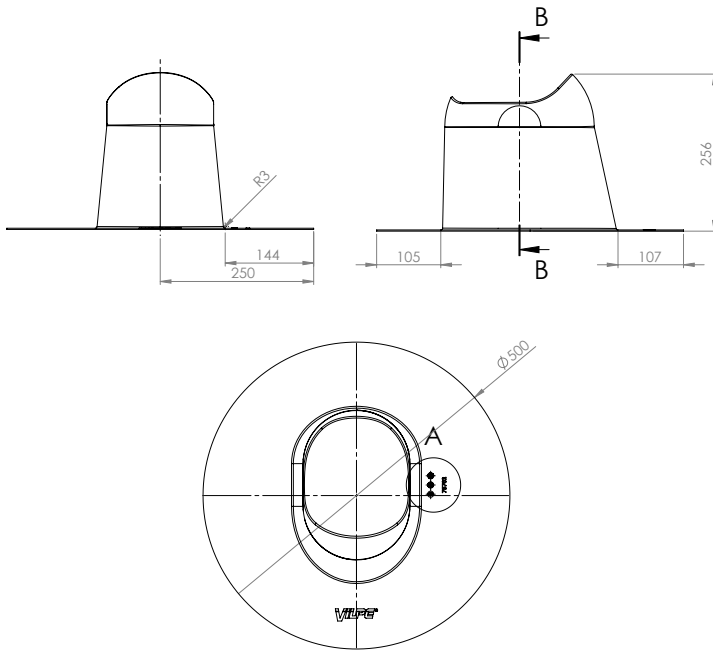


VILPE[®] on PVC roofing

Collar PVC is a cone shaped collar which enables watertight and easy installation of the Felt Tall pass-through on PVC roofing. This allows the installation of our P-series roof fans and exhaust ventilation pipes (not XL) on PVC roofing.



Dimensions



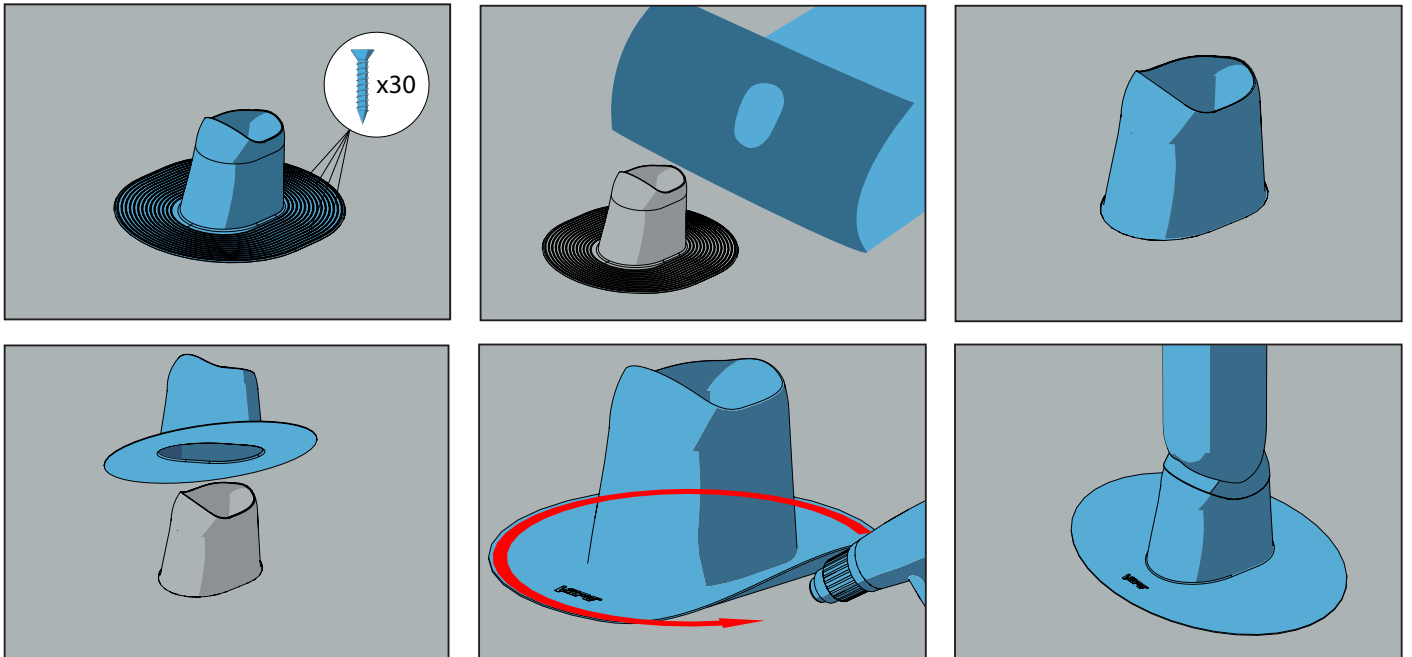
Material

Collar PVC is made of PVC rubber.

Standard colours

- Grey – reference colour RAL 7015 (dE 2,11)
- Light grey – reference colour RAL 7040 (dE 0,54)

Installation



Product numbers

NAME	COLOUR	PRODUCT NUMBER
Collar PVC for Felt Tall pass-through	Grey	75703
	Light grey	75702
Felt Tall pass-through	Black	740752
	Grey	740757

VILPE® Collar PVC is designed and manufactured in Finland.